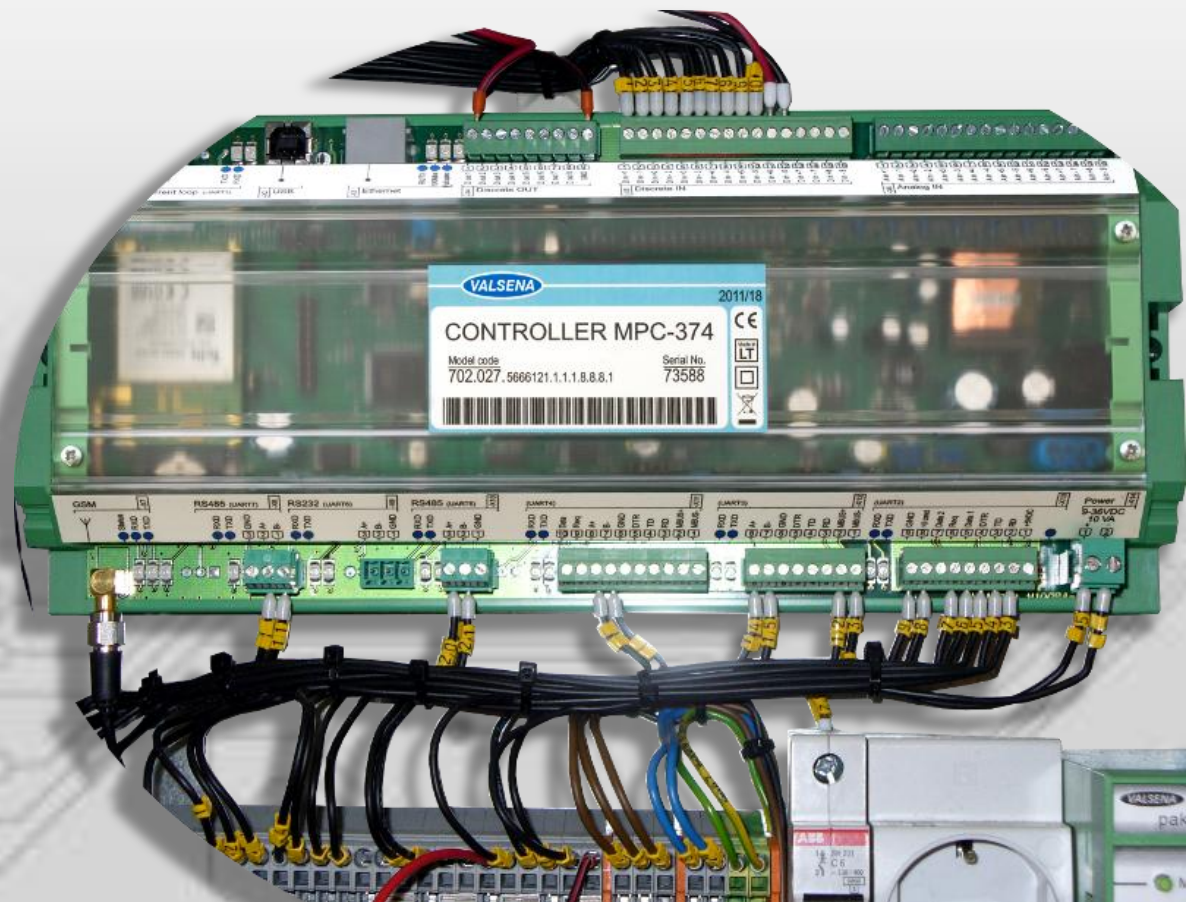


Presentation created by:
Alvydas Narijauskas
alvydas@valsena.lt

Valsena

Controllers on action

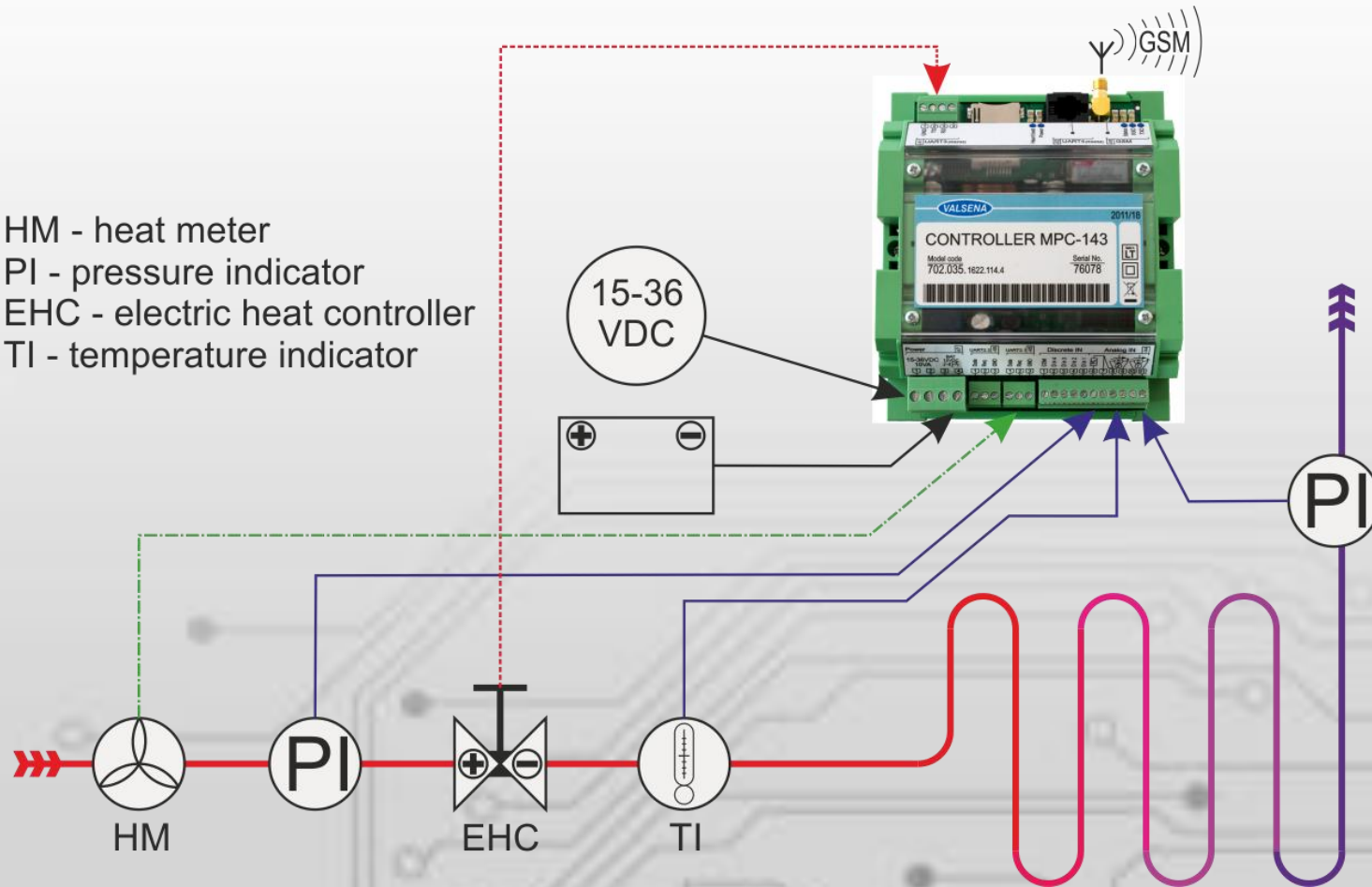


Areas of use

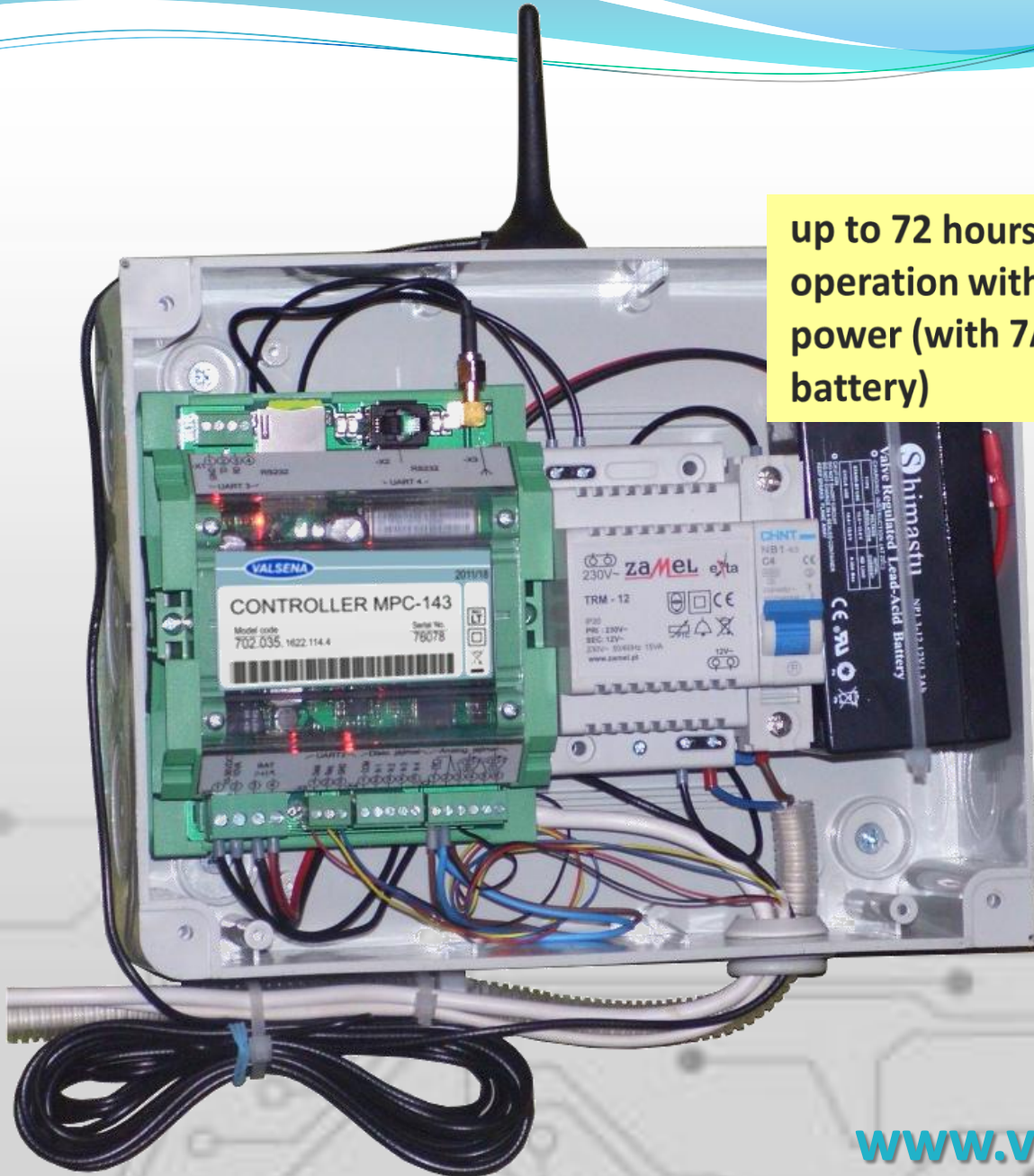
- Remote metering systems
- Monitoring of GAS distribution substations
- Monitoring and control of REFRIGERATION
- Monitoring and accounting in heat substations
- Monitoring and control of technological processes and etc.

HEATING substations

HM - heat meter
PI - pressure indicator
EHC - electric heat controller
TI - temperature indicator



HEATING substations



up to 72 hours of operation without power (with 7Ah battery)

HEATING substations

Nuo:

Iki:

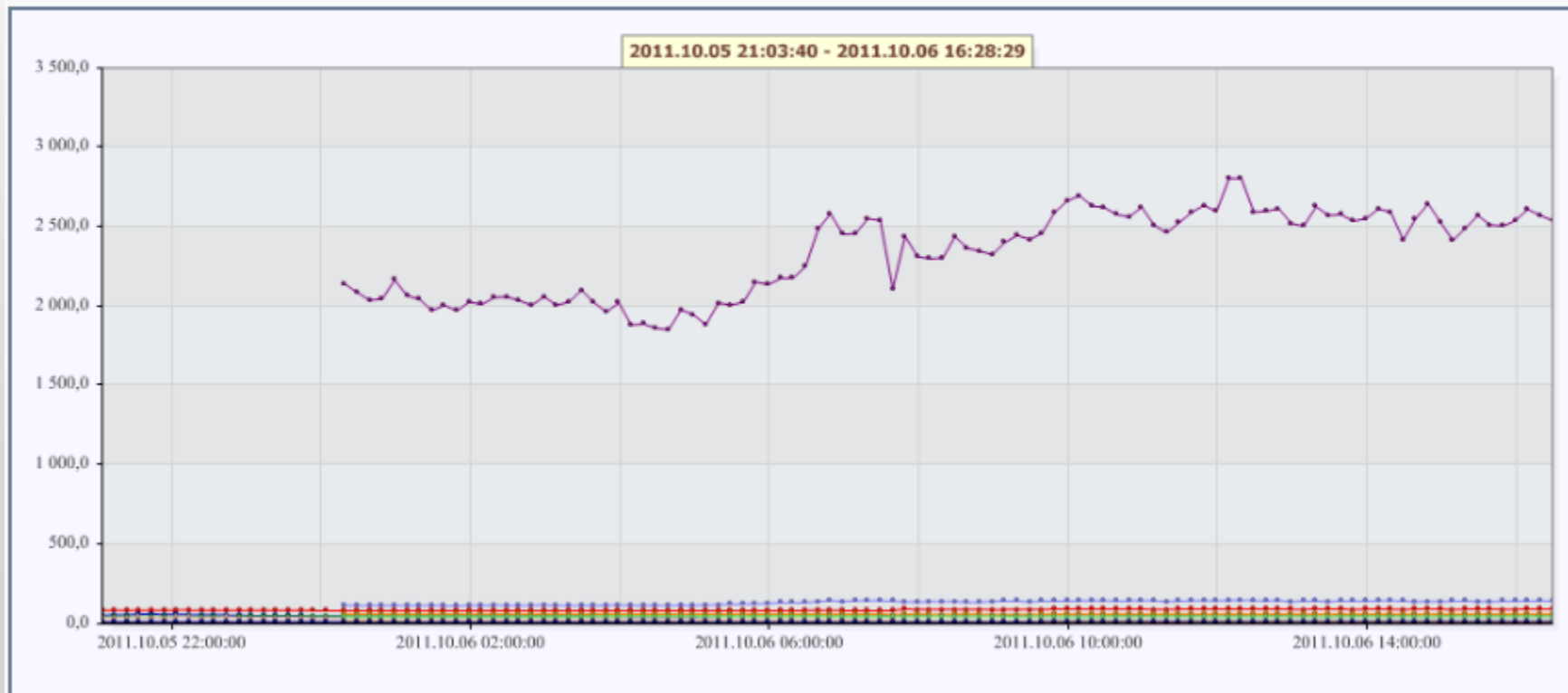
šilumos grąžinimas iš Gandingos

Slėgis grąžinamas iš Jucio

Slėgis grąžinamas iš Mačernio

Lauko temperatūra

Lauko temperatūra



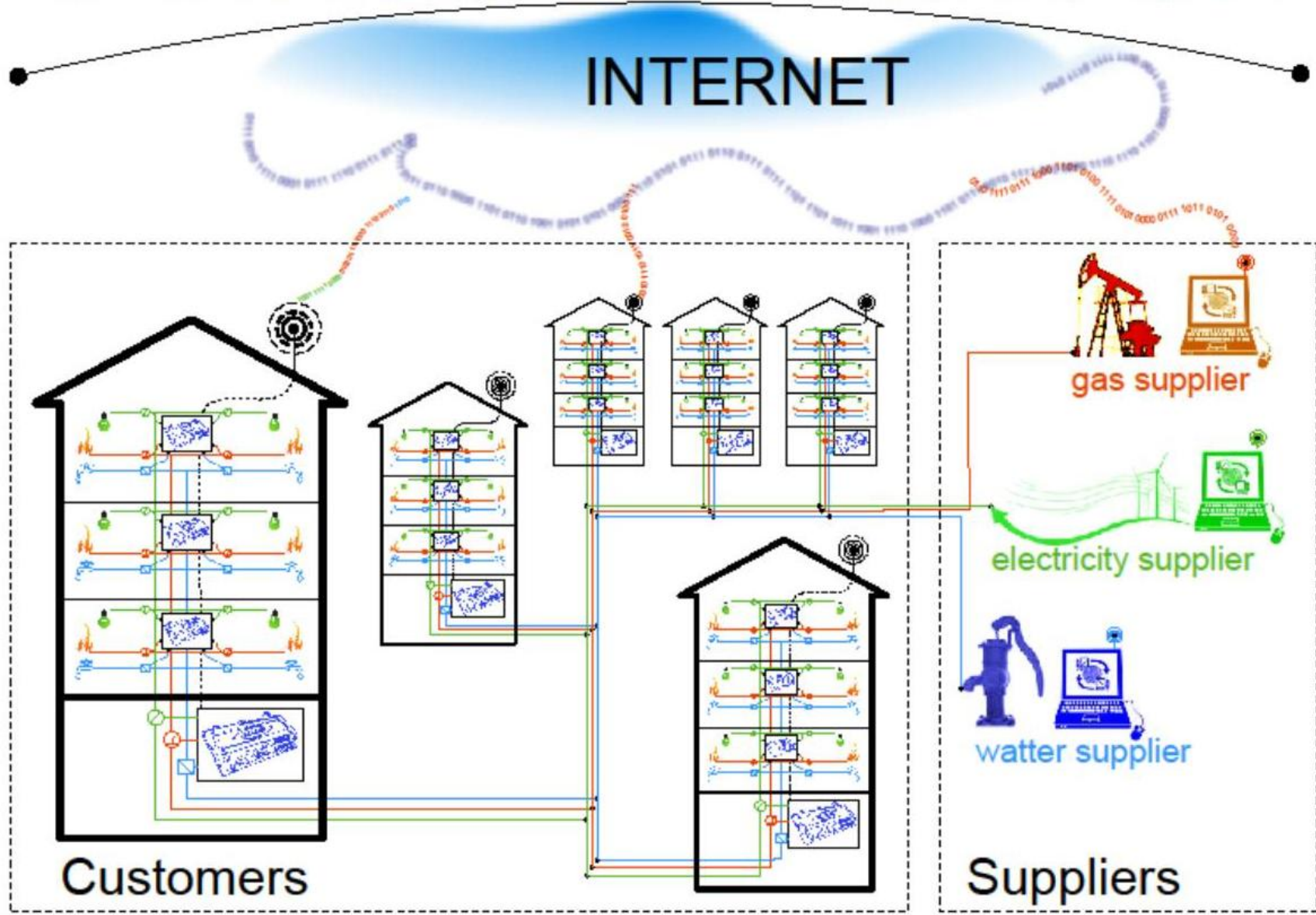
Remote metering systems

Valsena made controllers are widely used for remote Heat, hot and cold Water, GAS and Electricity meters monitoring.

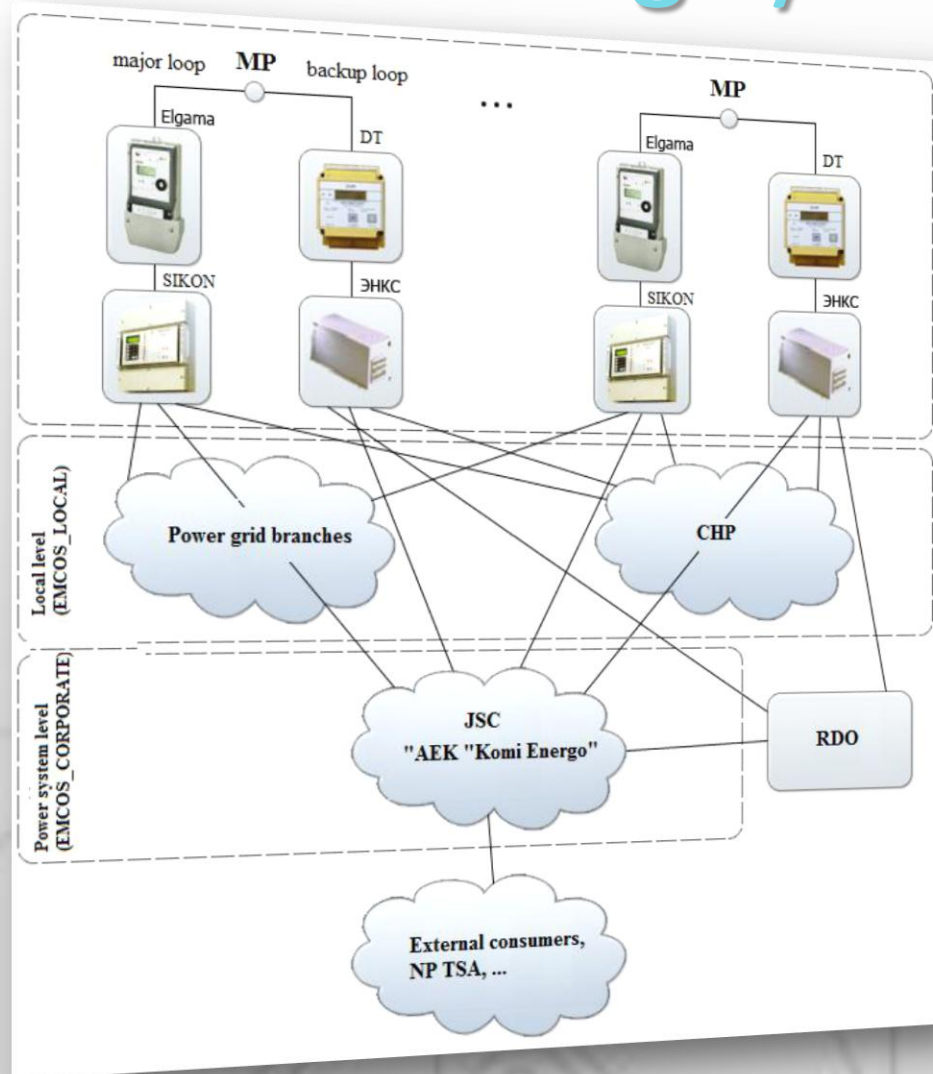
With EMCOS (Energy Monitoring Commercial System), totally installed over 3100 controllers:

- 1000 in Lithuania
- 600 in Kazakhstan
- 1500 in Uzbekistan

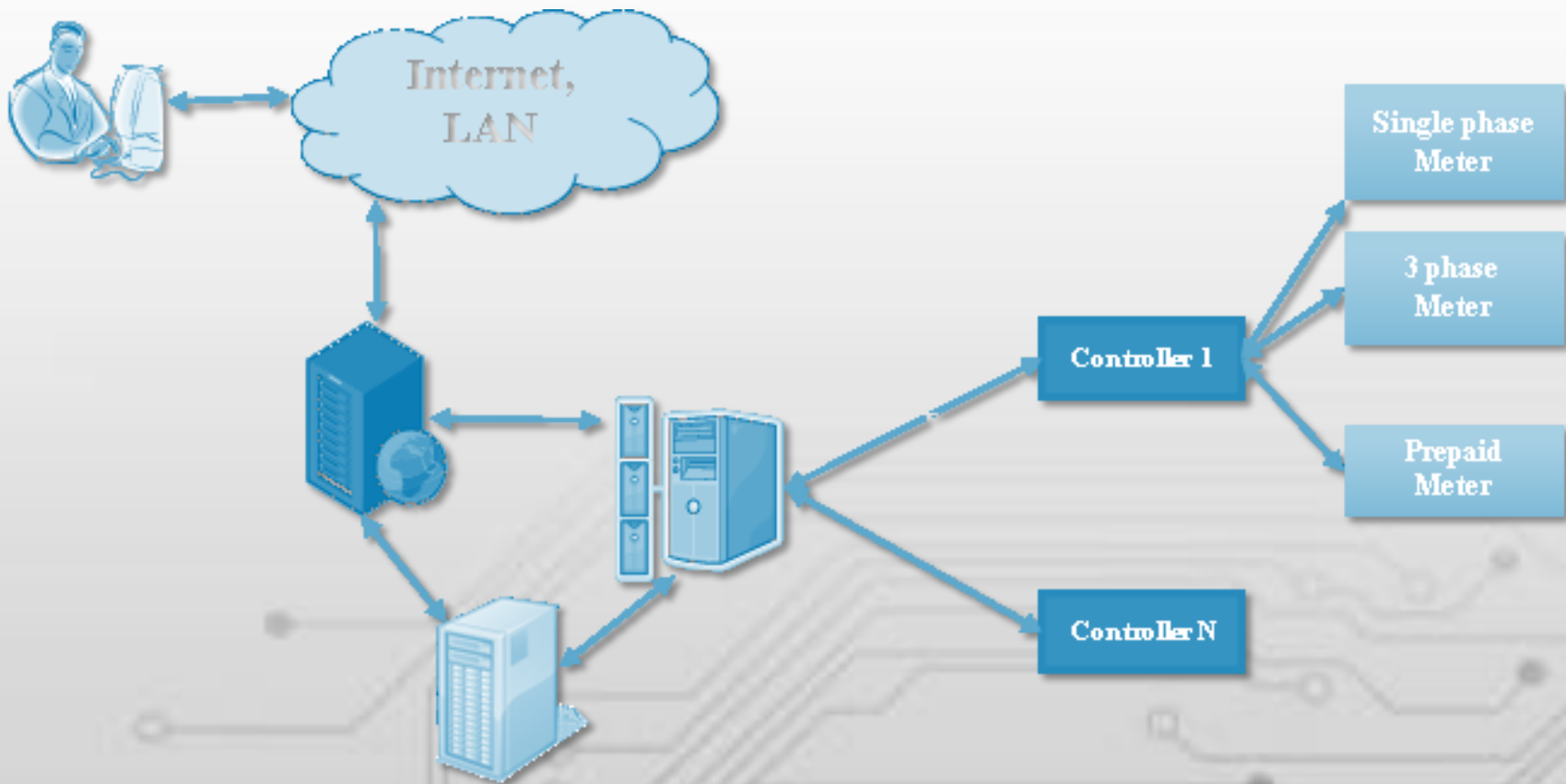
Valsena Multi Point Converters connection scheme



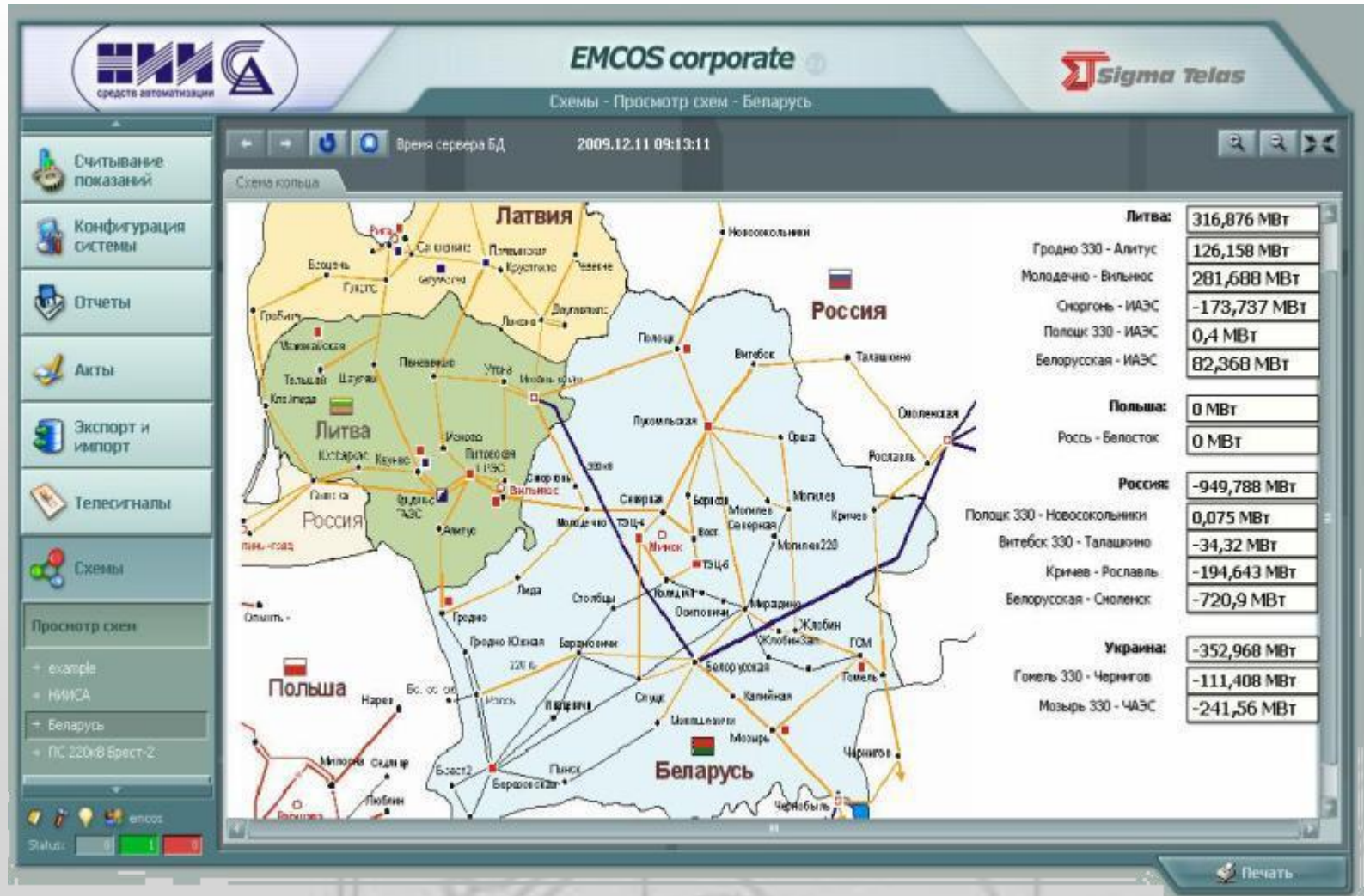
Remote metering systems



Remote metering systems



Remote metering systems



Remote metering systems

X5 Retail Group **EMCOS corporate** **Sigma Telas**

Схемы - Просмотр схем - X5_Retail_Group

Время сервера БД: 2010.10.13 17:41:54

Прекращение обновления через: 170
До следующего обновления: 16

Магазины в карте: X5_Днепропетровская_9 Протопоп_пер_38 Протопоп_пер_38(схема)

Протопоповский переулок д.38

681.123 kWh	A+ за сутки
.199952 m3	Холодная вода за сутки
.059986 m3	Горячая вода за сутки
23.964487 °C	Внутренняя темп.

Днепропетровская, д.3, к.1

1479.632 kWh	A+ за сутки
.29993 m3	Холодная вода за сутки
.359913 m3	Горячая вода за сутки
20.310289 °C	Внутренняя темп.

Статус: 0 / 1 / 0

Настройки Печать

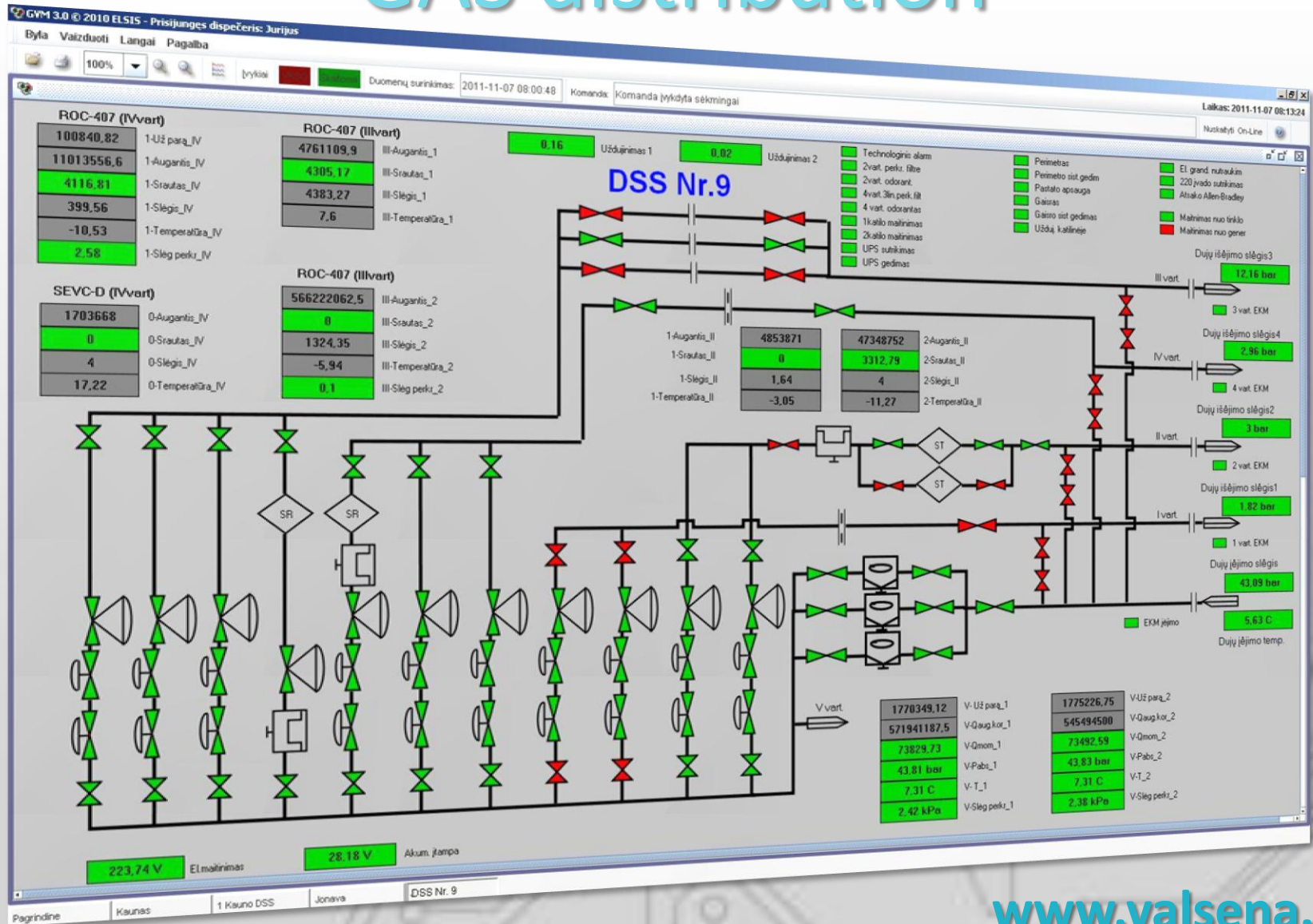
Remote metering systems



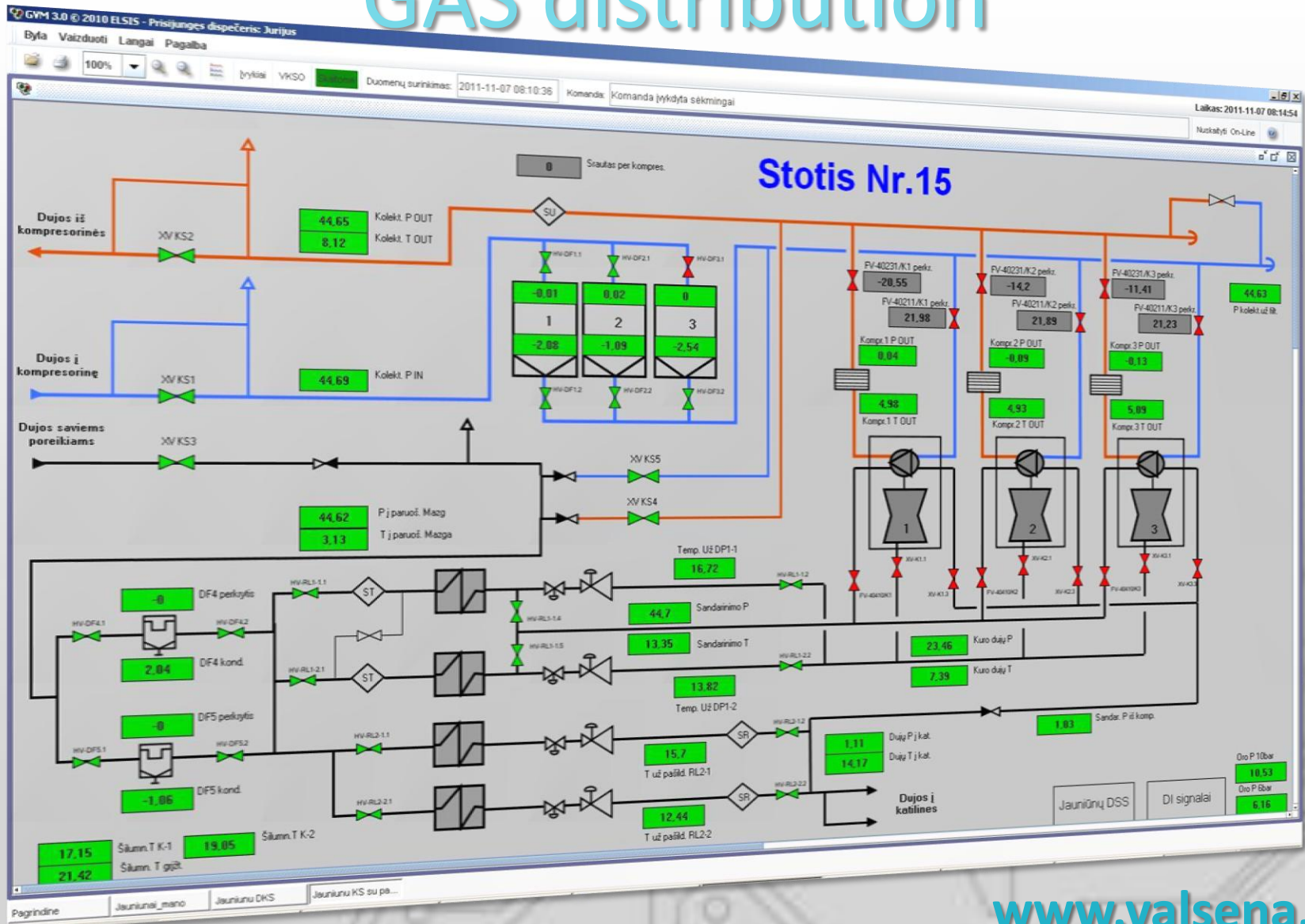
Remote metering systems



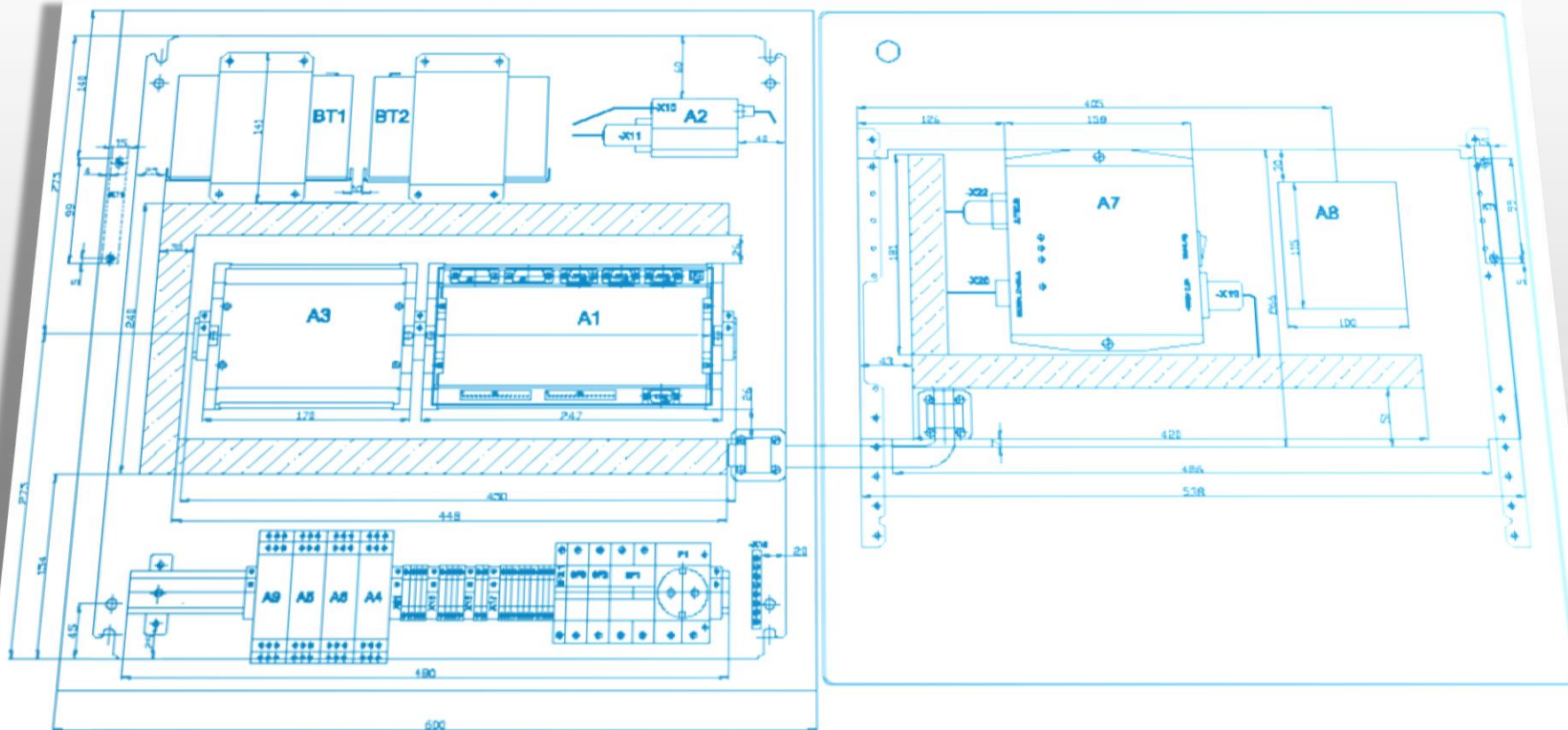
GAS distribution



GAS distribution



GAS distribution rack schema



GAS distribution rack





The end !



www.valsena.it
